

Sudden oil pressure relay



Protective relay (relay) for detecting internal faults in transformers.

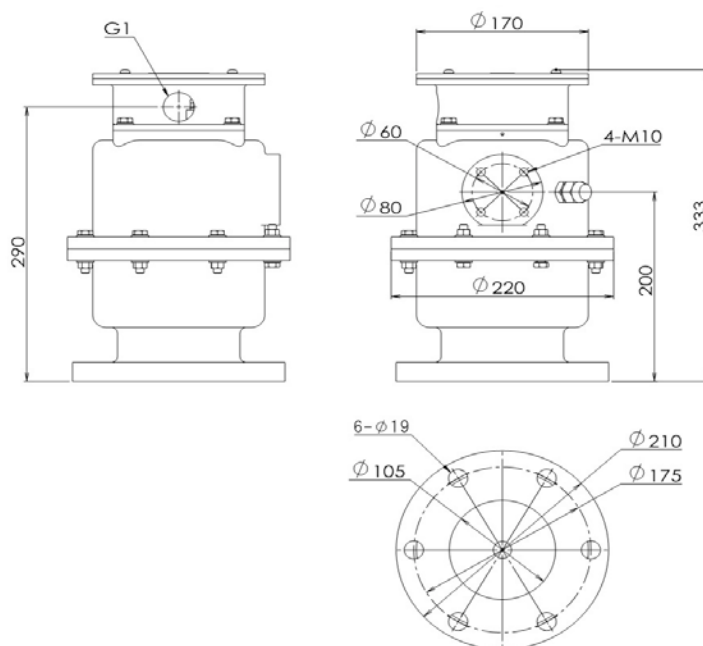
This relay is attached with the top or side of an oil-immersed transformer, and is designed to detect an abnormal pressure rise in the tank close to the contacts when an accident occurs inside the transformer.

【Type : SSPO-2LLB / SSPO-3C】

◆ **Main specification (Example) :**

Type	SSPO-2LLB	SSPO-3C
Minimum operating pressure difference	25kPa±15%	31kPa±15%
Minimum rate of operating pressure rise	2.0kPa/s±25%	2.9kPa/s±25%
Kinds of contact	Normally-open contact	
Insulation resistance	More than 100MΩ by 500V megger	
Withstand Voltage	Between electric circuit and the case, AC2000V	
Ambient Temperature	-30~80°C	

◆ **Outside drawing (Example) :**



For further information:

Shinagawa Sokki Mfg. Co., Ltd.
 2-16, Omori-minami 1-chome, Ota-ku, Tokyo 143-0013
 Phone : +81-3-3745-0011 FAX: +81-3-3745-0015
 URL : <http://www.shinagawasokki.co.jp>