

Differential pressure gauge

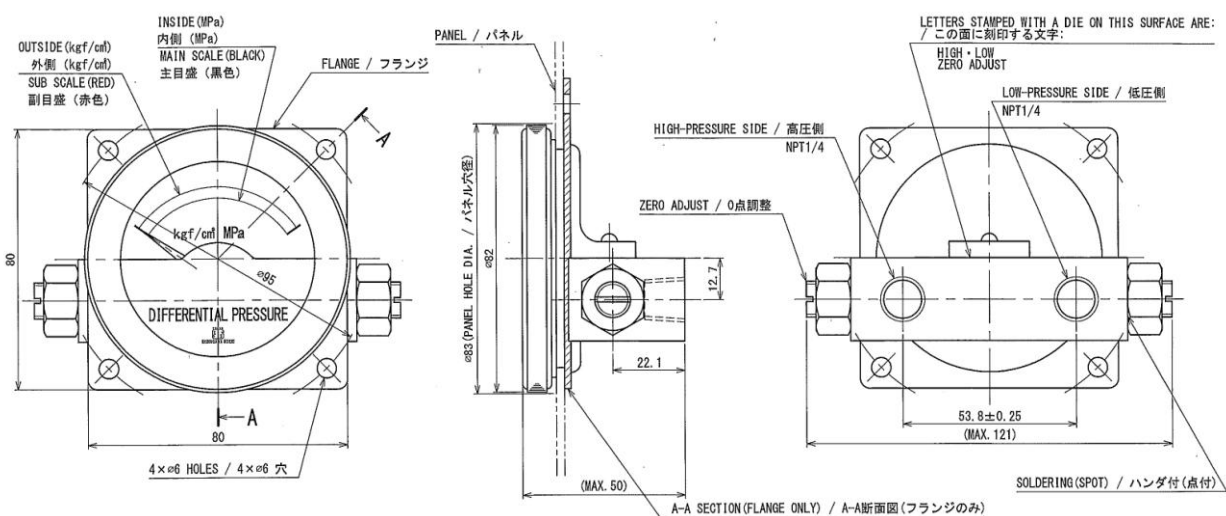


Outline and feature of the product

This differential pressure gauge can measure micro differential pressure in the high-pressure oil in tube. This pressure gauge can be widely used to monitor the pressure before and after a filter.

【 Type : DP-80 / DP-100 】

◆ Fig.



◆ Specifications :

- Material : (Body) SCS4 (Case) AC (O-ring) Fluorocarbon rubber
- Pressure test : 15 MPa
- Applicable fluid : Turbine oil (-30°C ~ +120°C)
- Coating : Black
- Adjuster to zero : Attached
- Accuracy : Within $\pm 5\%$ of maximum scale value
(As for 1 / 3 each end of the scale span, within $\pm 7.5\%$)

TYPE	SIZE OF ATTACHMENT	HOLE SIZE	CONNECTING SCREW [※]	SCALE SIZE
DP - 80	φ95	4 × φ6	NPT1 / 4	φ60
DP - 100	φ130	4 × φ6	NPT1 / 4 · 3 / 8 · 1 / 2	φ90

※R_c can be provided.

For further information:

Shinagawa Sokki Mfg. Co., Ltd.
 2-16, Omori-minami 1-chome, Ota-ku, Tokyo 143-0013
 Phone : +81-3-3745-0011 FAX: +81-3-3745-0015
 URL : <http://www.shinagawasokki.co.jp>