

# Liquid filling pressure type thermometer



Type : ANOFB

## Outline and feature of the product

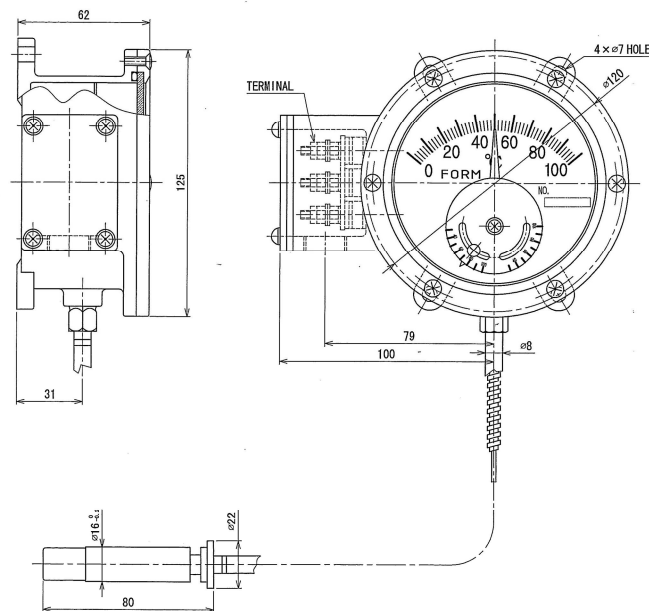
The insides of the thermo-sensor cylinder, capillary, and Bourdon tube are filled with liquid which changes volume with varying temperature. The liquid in the thermo-sensor cylinder is expanded and contracted as the temperature changes, and the pressure change in the Bourdon tube that is transmitted through the capillary is indicated as a temperature. Since the displacement of the Bourdon tube due to an internal pressure change is directly indicated on the scale division plate without passing through the transmission mechanism and expansion device, this product is excellent in vibration resistance.

This product is provided with an electric contact that operates the micro switch.

## ◆ Example for Specifications

Temperature indicating range	0~100°C
Minimum division	2°C
Accuracy	±2°C
Setting temperature	30~100°C
Switch	Micro switch
Contact capacity	AC125V 0.5A (resistance load)
Withstand voltage	AC2000V for 1min.
Weight	Approx.1kg

## ◆ Fig. Type : ANOFB



### For further information:

Shinagawa Sokki Mfg. Co., Ltd.  
 2-16, Omori-minami 1-chome, Ota-ku, Tokyo 143-0013  
 Phone : +81-3-3745-0011 FAX: +81-3-3745-0015  
 URL : <http://www.shinagawasokki.co.jp>