

Pressure gauge - Square type -



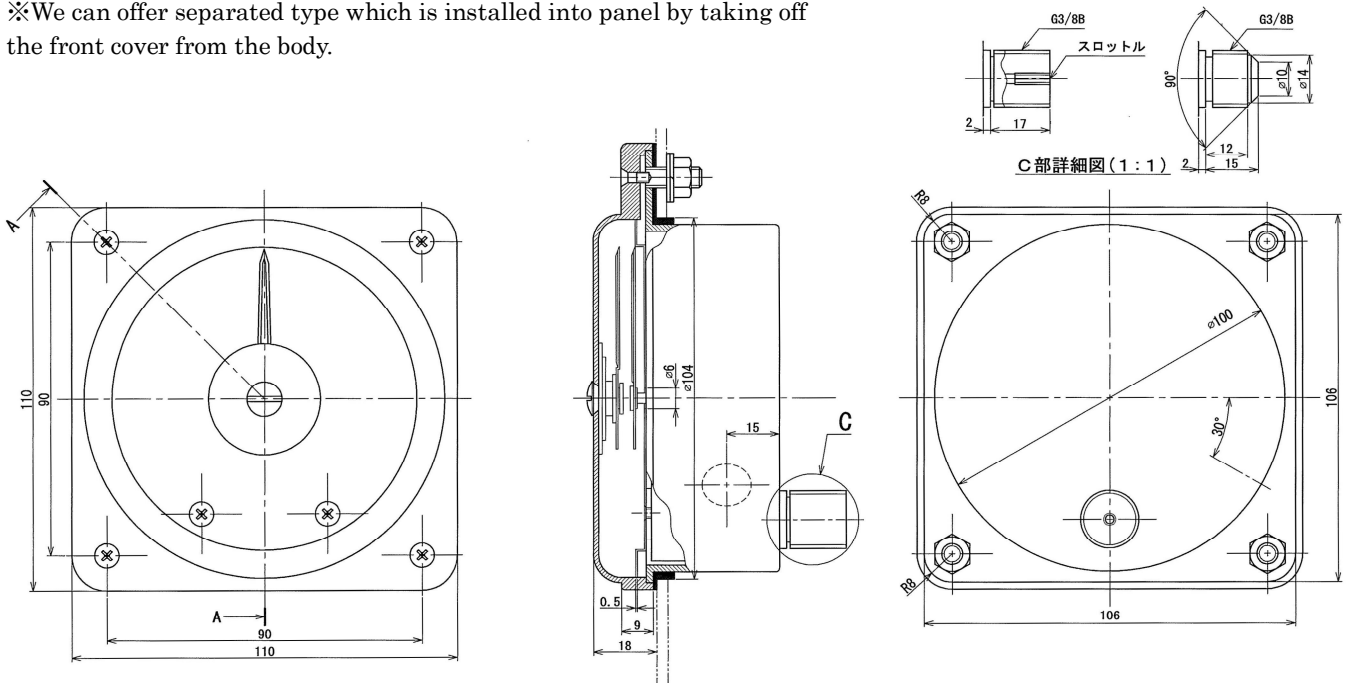
SR35

Outline and feature of the product

This pressure gauge is provided with a square cover by changing the front cover of the ordinary type pressure gauge into a square shaped cover. This pressure gauge is installed on a panel of control unit for use.

◆ Fig. : Type : SR 35 - unified type

※We can offer separated type which is installed into panel by taking off the front cover from the body.



◆ Example for Specifications :

Type	SR 35
Size	φ 100
Shape	D
Connecting Screw	G 3/8
Accuracy Class	Class 1.6
Color of case	Black (Standard)

For further information:

Shinagawa Sokki Mfg. Co., Ltd.
 2-16, Omori-minami 1-chome, Ota-ku, Tokyo 143-0013
 Phone : +81-3-3745-0011 FAX: +81-3-3745-0015
 URL : <http://www.shinagawasokki.co.jp>