

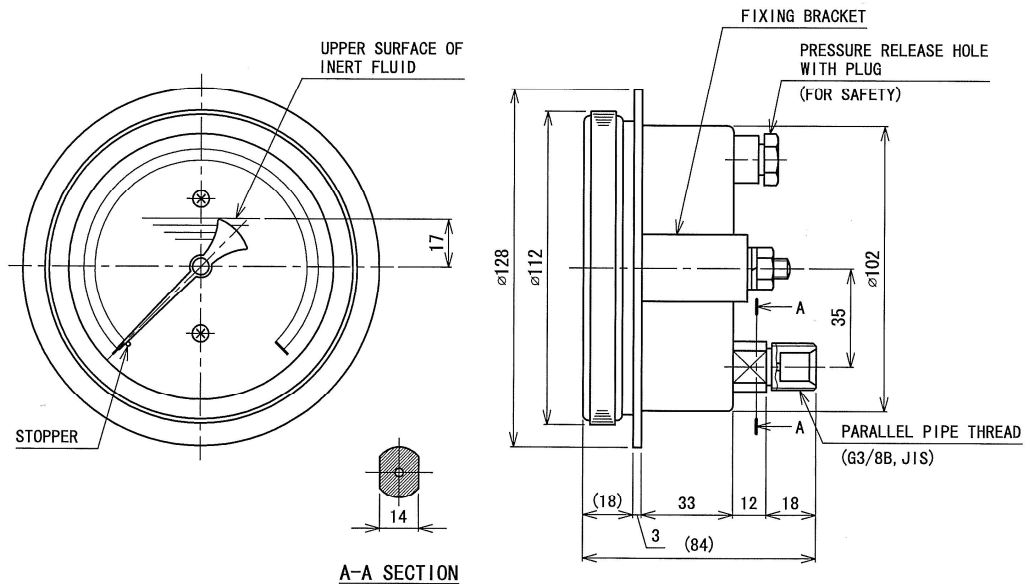
Oil filled pressure gauge



Outline and feature of the product

This pressure gauge is provided with glycerin or silicone oil for the purpose of improving durability for vibrations of industrial pump, compressor, hydraulic device, etc. and the measured value can be read quickly by preventing the pointer against fluctuation.

◆ Fig. Type : DVUO 3/8 × 100 × 70 MPa



◆ Example for Specifications

Classification according to use	Vibration-proof type
Accuracy Class	Class 1.6
Size	φ 60 · φ 75 · φ 100 · φ 150
Shape	A · B · D
Connecting Screw	G1/4 · G3/8 · G1/2 ※R (taper screw) can be provided

For further information:

Shinagawa Sokki Mfg. Co., Ltd.
 2-16, Omori-minami 1-chome, Ota-ku, Tokyo 143-0013
 Phone : +81-3-3745-0011 FAX: +81-3-3745-0015
 URL : <http://www.shinagawasokki.co.jp>