

# Winding/Oil Temperature Relay



This product can be widely used as a measuring instrument for temperature management and control of transformer. We have one type for "winding" that performs temperature management by using a heating coil and the other type for "oil" that detects and controls the oil temperature. We can manufacture various types as you specify whether the maximum indication, alarm contact, and shut-off contact are provided.

【TYPE : RB/RE 】

## ◆ Example for specification

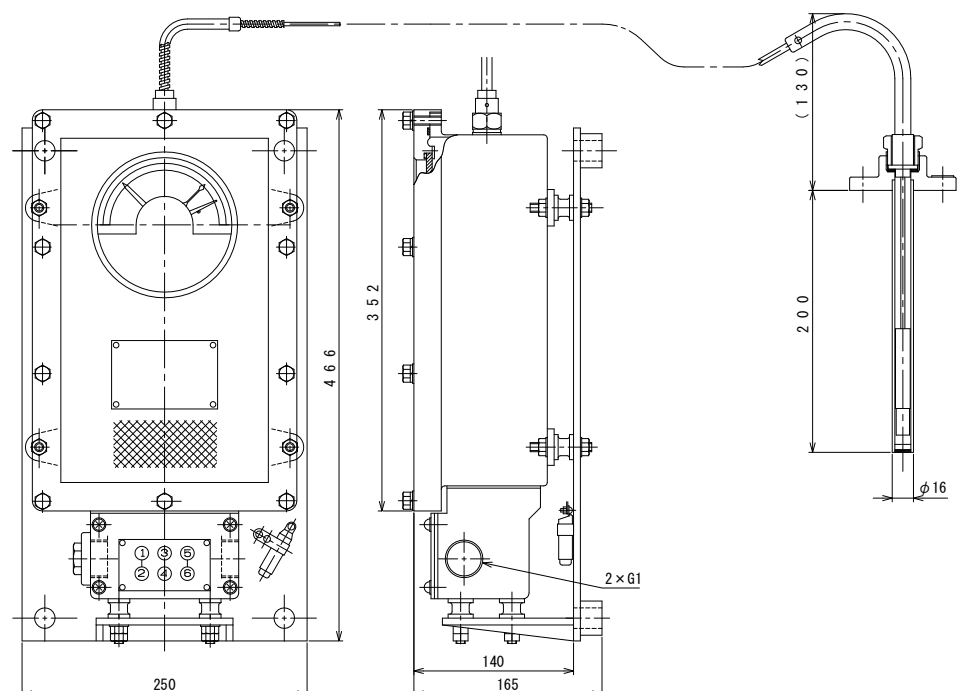
Temperature adjusting range	20-120°C 、 0-100°C
Temperature indicating range	0-120°C、 0-100°C
Accuracy	±2°C
Minimum division	2°C
Voltage of supporting power supply	AC100V、 AC110V、 AC200V、 AC220V、 DC100V、 or DC110V
Cooler control contact capacity	AC250V 5A (resistance load)
Alarm & Trip contact capacity	DC125V 0.3A ( resistance load )
Withstand voltage	AC2000V for 1 min
Weight	Approx.20kg

※The "RE type" that is smaller and more lightweight than the RB type is also available(Weight:Approx.7kg).

## ◆ Dimension (1)

Oil Temperature Relay

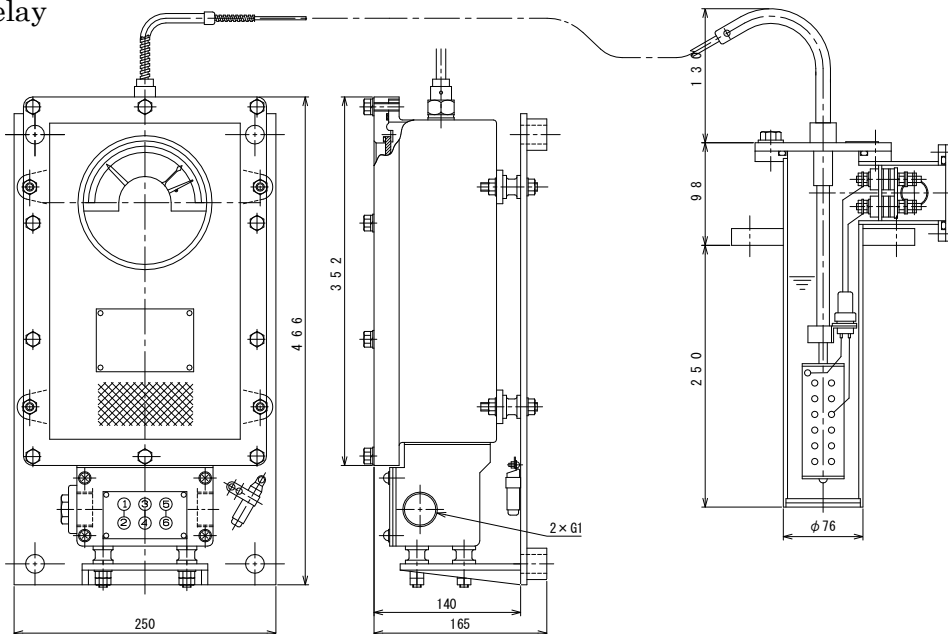
Type: RB



◆ Dimension (2)

Winding Temperature Relay

Type: RB



◆ We can manufacture a winding/temperature relay according to the following specifications.

For details, contact us for further information.

(Winding temperature relay specification table)

TYPE		Cooler control contact	Maximum indication	Alarm contact	Trip contact
Oil Temperature Relay	Winding Temperature Relay				
RB/RE-H ** K1A	RB/RE-H ** W1A	1c	—	—	—
RB/RE-H ** K2A	RB/RE-H ** W2A	1c	○	—	—
RB/RE-H ** K3A	RB/RE-H ** W3A	1c	—	○	—
RB/RE-H ** K4A	RB/RE-H ** W4A	1c	○	○	—
RB/RE-H ** K5A	RB/RE-H ** W5A	2c	○	—	—
RB/RE-H ** K6A	RB/RE-H ** W6A	2c	○	○	—
RB/RE-H ** K7A	RB/RE-H ** W7A	2c	—	○	○
RB/RE-H ** K8A	RB/RE-H ** W8A	1c	—	○	○
RB/RE-H ** K11A	RB/RE-H ** W11A	1c	○	○	○

※In \*\* in the model, the specified number is entered according to the auxiliary power supply voltage

※In the above models, represents a winding temperature relay .For the oil temperature relay, specify K.

For further information:

Shinagawa Sokki Mfg. Co., Ltd.

2-16, Omori-minami 1-chome, Ota-ku, Tokyo 143-0013

Phone : +81-3-3745-0011 FAX: +81-3-3745-0015

URL : <http://www.shinagawasokki.co.jp>