

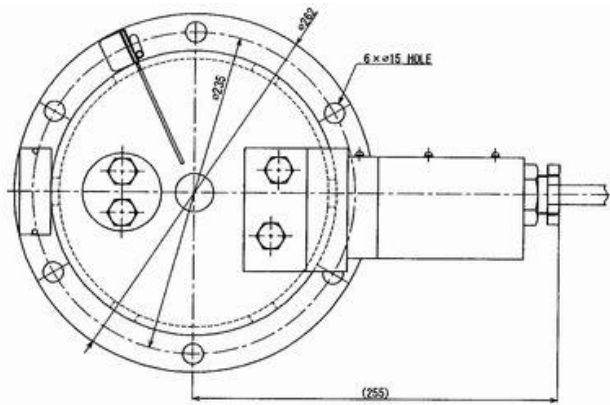
Pressure relief device



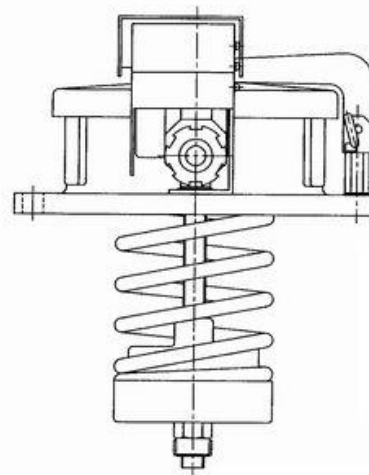
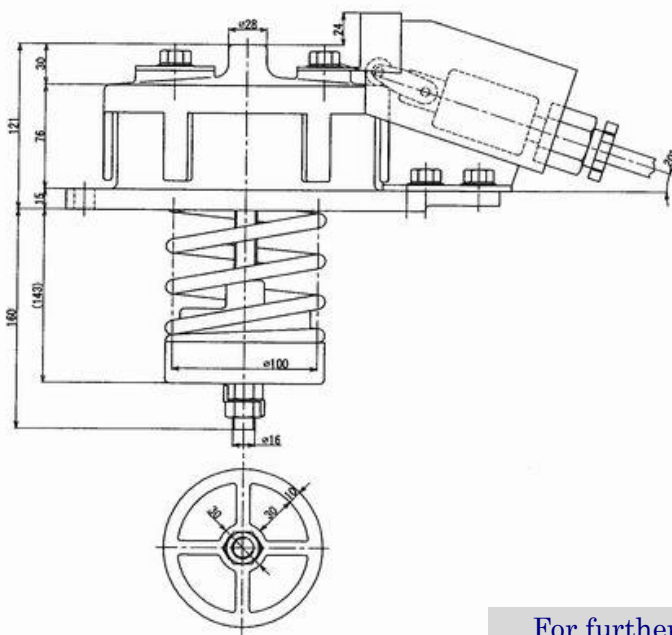
The reliable valve which prevents the accident of the transformer. This is a safety valve to prevent the tank and belongings of transformer in power stations or substations from being damaged by detecting abnormal pressure in the tank and discharging the nitrogen gas or oil used for insulation in the upper part of the tank to the air in a short time. This relief valve has electrical contact and operation indicator.

◆ Fig. Type : PRD—75

◆ Example for Specifications



TYPE	PRD—55	PRD—75
Pressure of operating	54±5kPa	74±5kPa
Depth	185mm	160mm
Outside diameter	φ 262	
Hole diameter for setting	φ 235	
Weight	Approx. 10kg	



For further information:

Shinagawa Sokki Mfg. Co., Ltd.
 2-16, Omori-minami 1-chome, Ota-ku, Tokyo 143-0013
 Phone : +81-3-3745-0011 FAX: +81-3-3745-0015
 URL : <http://www.shinagawasokki.co.jp>