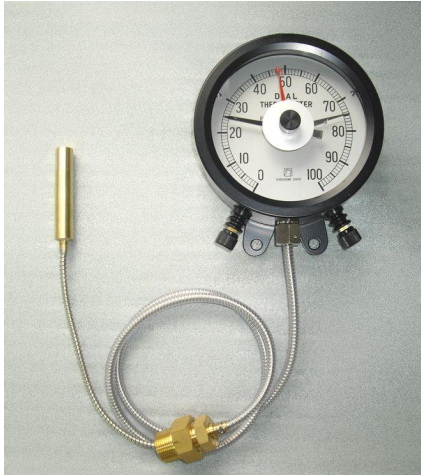


Vapor pressure type thermometer



Type : BNUTV

Outline and feature of the product

The vapor pressure type thermometer has the fastest instruction response function among metal thermometers and is not affected by ambient temperature. Therefore, this thermometer is widely used for temperature monitoring in important facilities. Capillary tube can be extended up to 50m at manufacturing.



Type : SR35A

◆ Example for Specifications

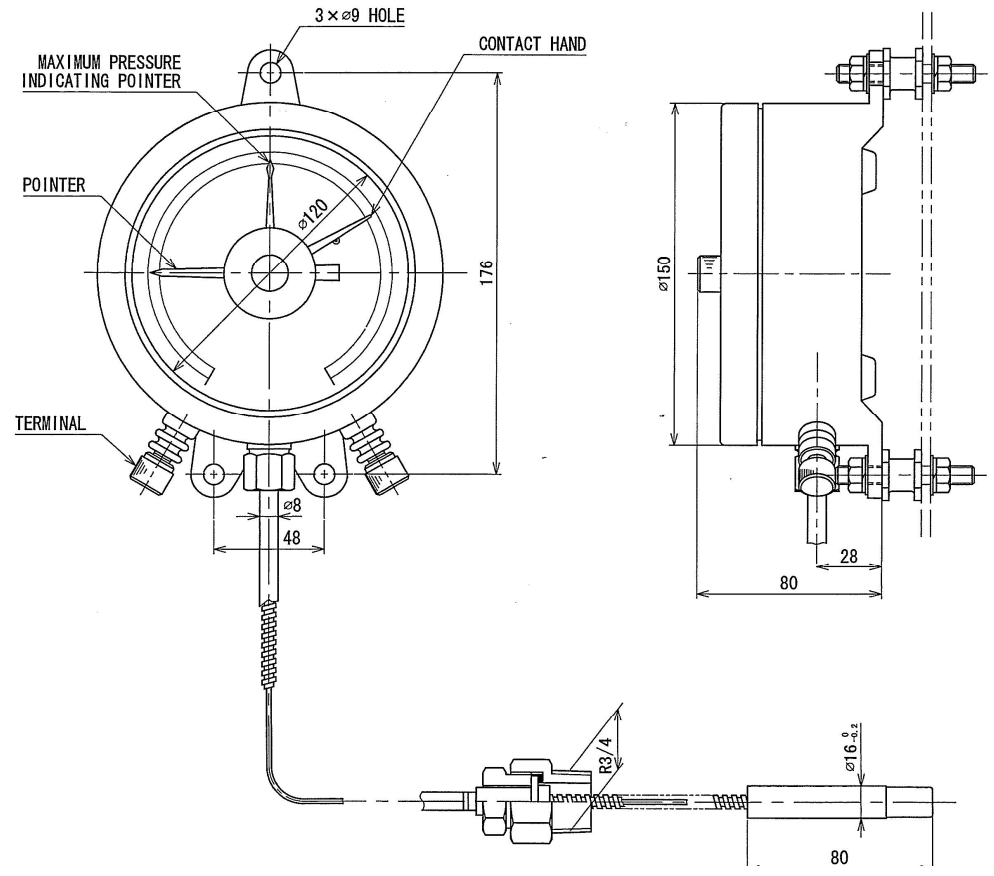
Type	Application	Size	Capillary/Terminal Box
AN	waterdrop and dust proof surface mounting type	φ 100	capillary : lower of the case
AM	waterdrop and dust proof surface mounting type	φ 100	capillary : upper of the case
BN	waterdrop and dust proof surface mounting type	φ 150	capillary : lower of the case
BM	waterdrop and dust proof surface mounting type	φ 150	capillary : upper of the case
AP	waterdrop and dust proof buried type	φ 100	capillary : back of the case
BP	waterdrop and dust proof buried type	φ 150	capillary : back of the case
EP	waterdrop and dust proof buried type	φ 110	capillary : back of the case
SR35	buried type	□110	square-shape front cover
SR25	buried type	□140	square-shape front cover
ADL	direct connection type	φ 100	non-capillary
BNO	Waterproof surface mounting type	φ 180	capillary : lower of the case terminal box : left of the case
BMO	waterproof surface mounting type	φ 180	capillary : upper of the case terminal box : left of the case
ME	waterproof surface mounting type	φ 150	capillary : upper of the case terminal box : lower of the case

For further information:

Shinagawa Sokki Mfg. Co., Ltd.
 2-16, Omori-minami 1-chome, Ota-ku, Tokyo 143-0013
 Phone : +81-3-3745-0011 FAX: +81-3-3745-0015
 URL : <http://www.shinagawasokki.co.jp>

◆ Fig.

Type : BNUTV



Type : SR35A

