

# Thermometer for Transformer



## Outline and feature of the product

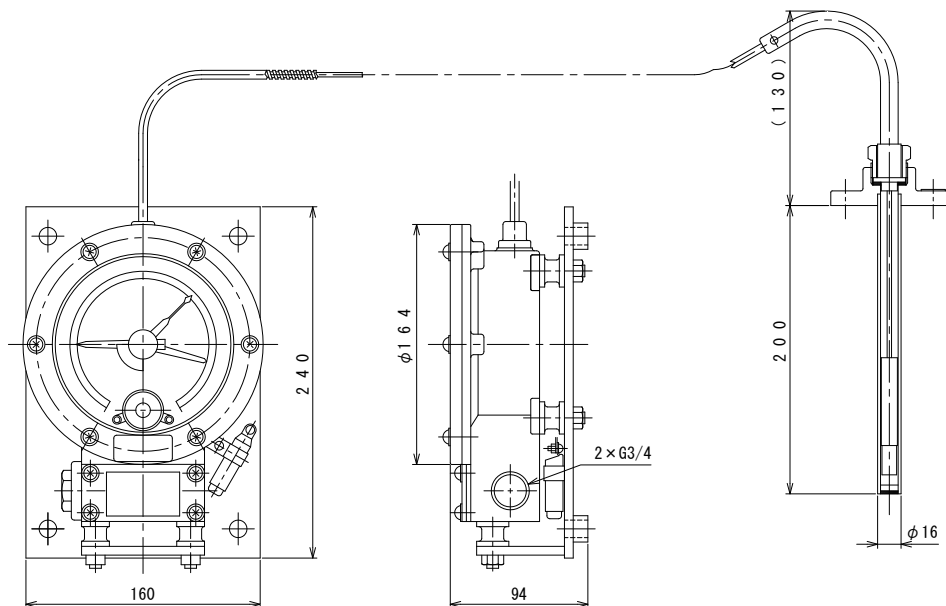
The vapor pressure type thermometer has the fastest instruction response function among metal thermometers and is not affected by ambient temperature. Therefore, this thermometer is widely used for temperature monitoring in important facilities. Capillary tube can be extended up to 50m at manufacturing.

【 Type : MI/ME 】

## ◆ Example for Specifications :

Temperature indicating range	0~100℃	0~120℃	0~150℃
Minimum division	1℃	2℃	
Accuracy	± 1℃	± 2℃	
Contact	1 contact or 2 contacts		
Indication for Maximum Temp.	with / without Pointer for Maximum temperature		
Contact capacity	0.3A DC125V (L/R=40ms), 0.3A AC250V (pf=0.4)		
Withstand voltage	AC2000V for 1min.		
Material of Case	Type MI : FC / Type ME : AC		

## ◆ Fig. : Type MI



### For further information:

Shinagawa Sokki Mfg. Co., Ltd.  
 2-16, Omori-minami 1-chome, Ota-ku, Tokyo 143-0013  
 Phone : +81-3-3745-0011 FAX: +81-3-3745-0015  
 URL : <http://www.shinagawasokki.co.jp>