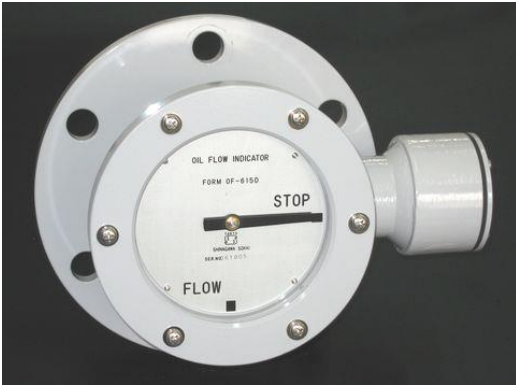


# Oil flow indicator

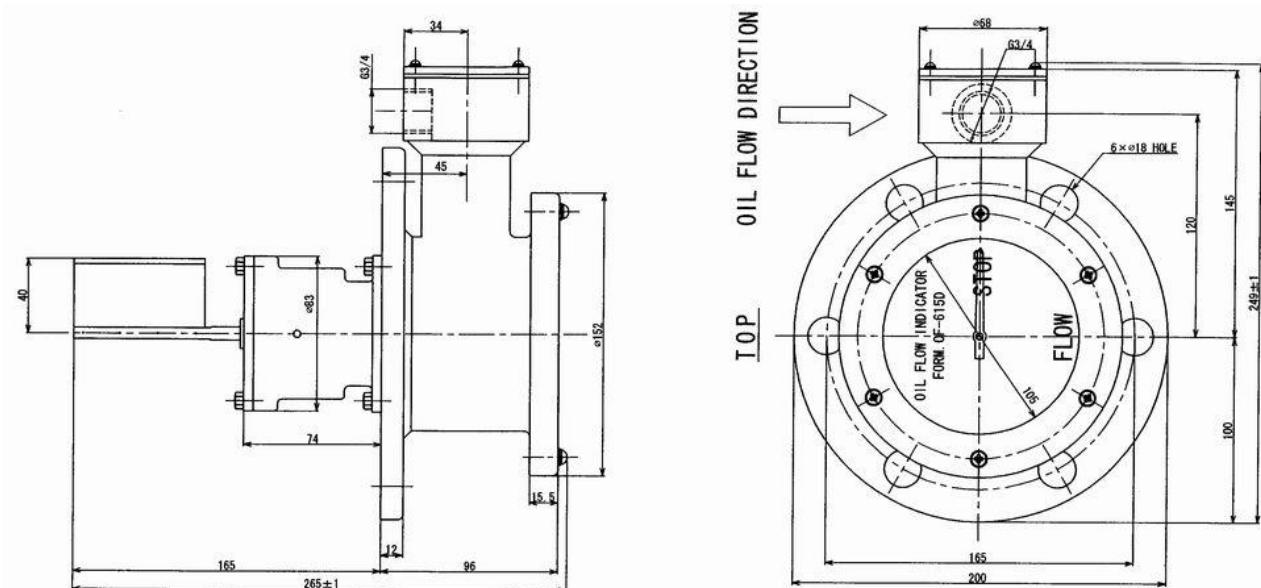


The instrument with contact indicating oil flow  
 This product is installed the cooler for transformer and used to monitor the flow rate of the oil. This gauge indicates STOP and FLOW of oil flow. Electric contact device switched on STOP is provided.

## ◆ Example for Specifications

TYPE	OF-610D	OF-615D
Pipe	SGP6B Direction of oil flow, downward	
Contact capacity	AC220V : resistance load 2A inductive load p. f=0.3~0.4 1A DC110~125V : resistance load 3A inductive load L/R=15ms 1A	
Withstand voltage	AC2000V for 1min	
Flow rate	FLOW 500±50L/min	1500±100L/min 700±50L/min
Weight	Approx.5kg	

## ◆ Fig. Type : OF-610D , OF-615D



### For further information:

Shinagawa Sokki Mfg. Co., Ltd.  
 2-16, Omori-minami 1-chome, Ota-ku, Tokyo 143-0013  
 Phone : +81-3-3745-0011 FAX: +81-3-3745-0015  
 URL : <http://www.shinagawasokki.co.jp>